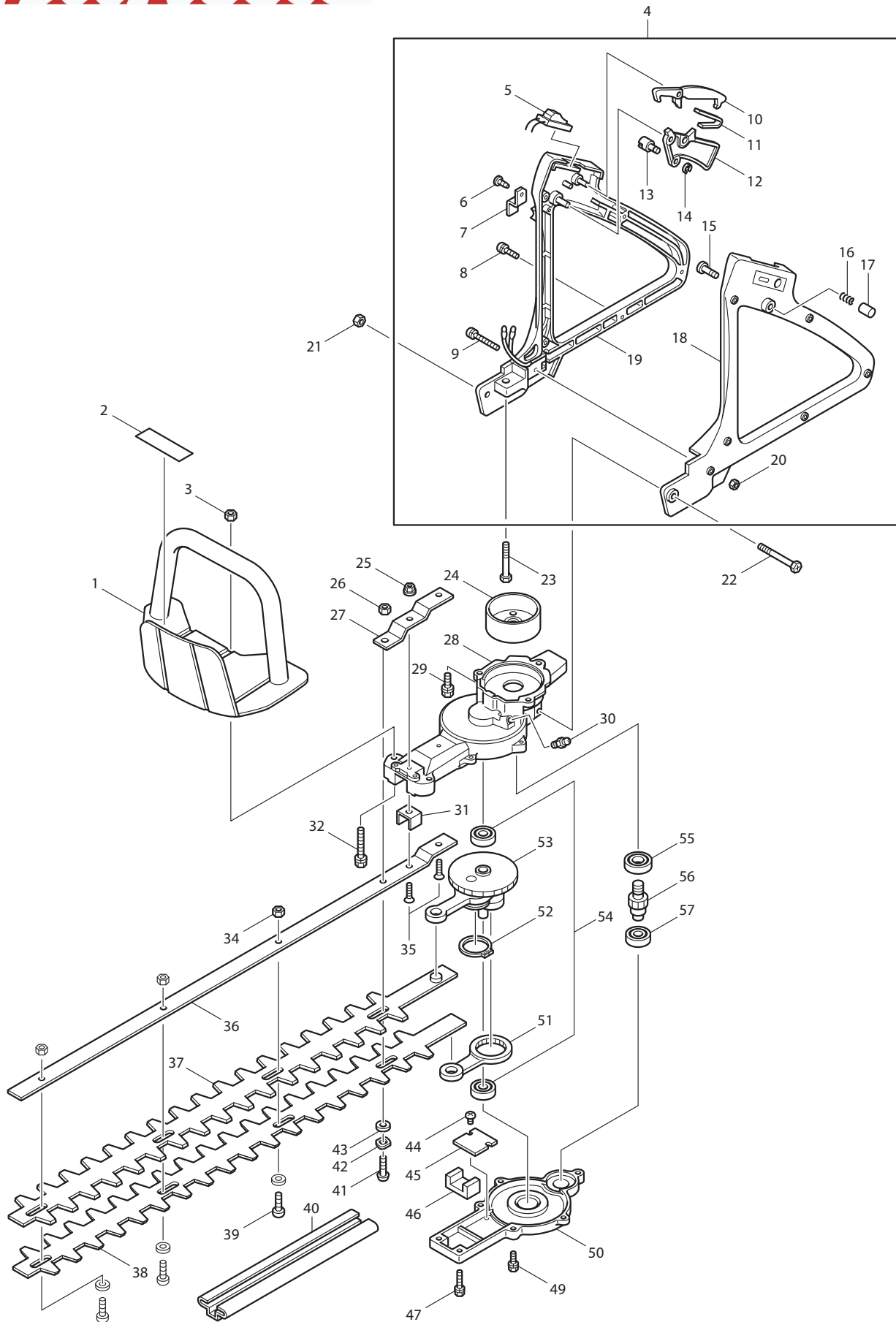


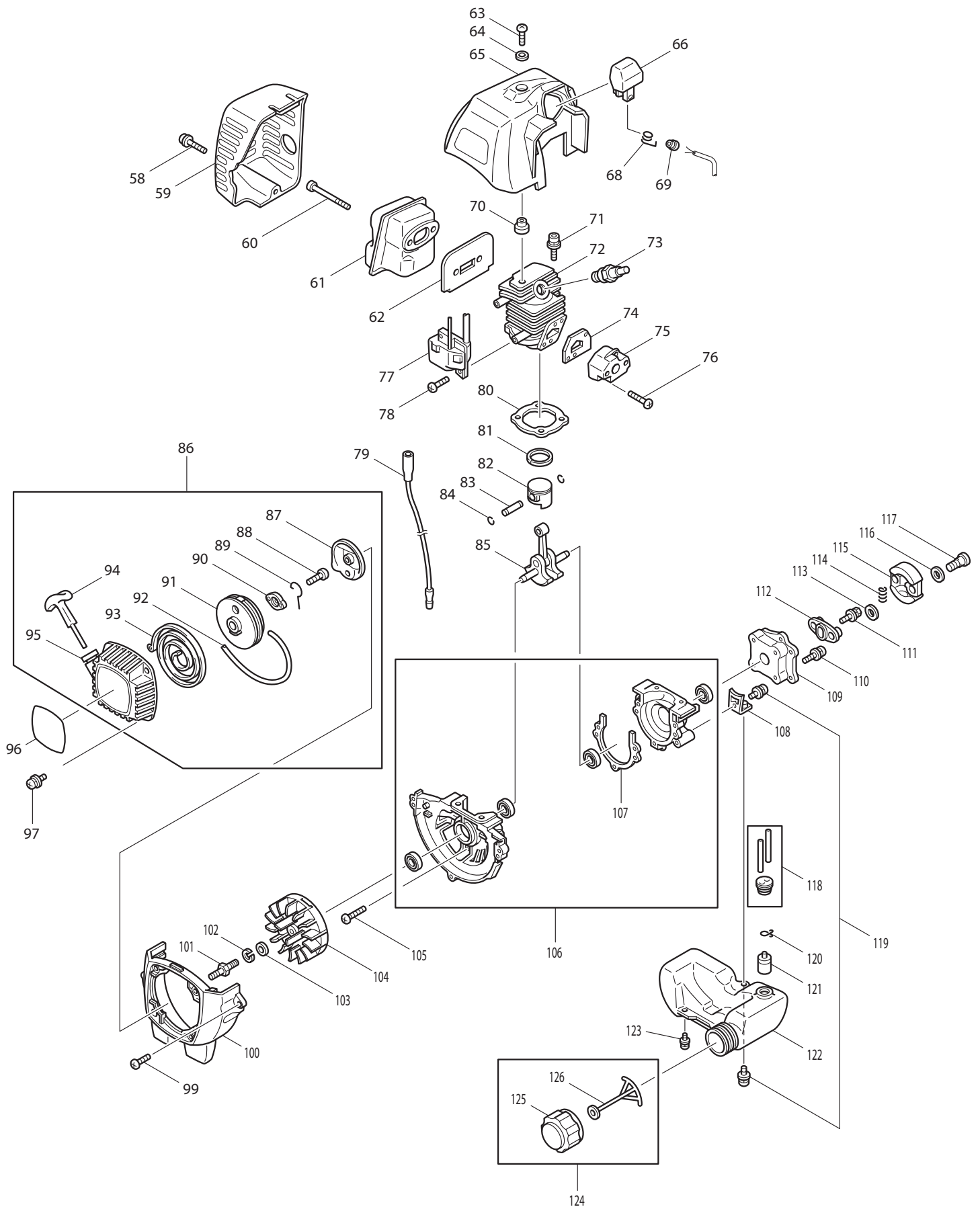


03 - 2010

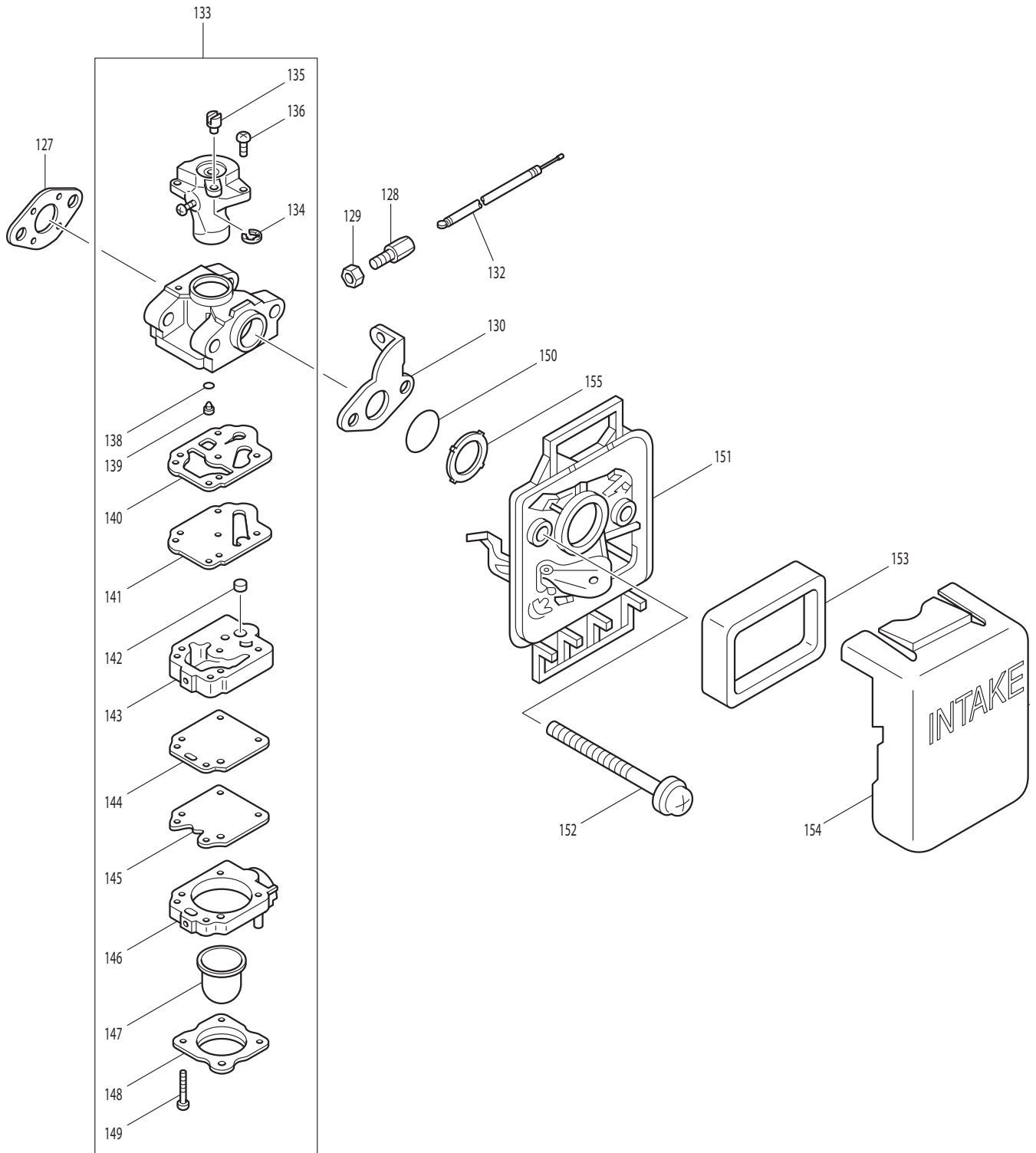
HTR5600

24.5CC HEDGE TRIMMER 22" (DBL)





2 Model HTR5600



Item No.	Type	Sub	Part No.	Description	Qty	Unit
1	1		1181550000	FRONT HANDLE	1	PC.
	2		118155B000	FRONT HANDLE	1	PC.
2			6609508600	CAUTION LABEL	1	PC.
3	1		0151060000	NUT M6	2	PC.
	2		151060000K	HEX NUT 2 M6	2	PC.
4			1180030000	REAR HANDLE ASS'Y	1	PC.
		INC.		Item No. 5-20		
5	1		0005044004	SWITCH	1	PC.
	2		005044004A	SWITCH	1	PC.
6	1		0112040100	SCREW M4X10	1	PC.
	2		112040100K	TAP SCREW M4X10	1	PC.
7			1181210000	CABLE HOLDER	1	PC.
8	1		0017040160	SCREW M4X16(WSW)	5	PC.
	2		017040160K	SCREW M4X16(WSW)	5	PC.
9	1		0017040300	SCREW M4X30(WSW)	1	PC.
	2		017040300K	PAN HEAD SCREW M4X30	1	PC.
10			1181510000	STOPPER	1	PC.
11	1		0003010004	SPRING	1	PC.
	2		1181620000	LEAF SPRING	1	PC.
12			1181150000	LEVER	1	PC.
13			1181110000	WIRE END	1	PC.
14	1		0280002500	SNAP RING	1	PC.
	2		280002500K	RETAINING RING ETW 2.5	1	PC.
15			1181120000	LEVER PIN	1	PC.
16			1181140000	SPRING	1	PC.
17			1181130000	PIN CAP	1	PC.
18			1181500000	REAR HANDLE (L)	1	PC.
19			1181490000	REAR HANDLE (R)	1	PC.
20	1		0015004000	NUT M4	6	PC.
	2		150040000K	HEX NUT M4	6	PC.
21	1		0151060000	NUT M6	1	PC.
	2		151060000K	HEX NUT 2 M6	1	PC.
22			0055060500	BOLT M6X50 (WSWPW)	1	PC.
23	1		0055060400	BOLT M6X40	1	PC.
	2		055060400K	+ HEX BOLT M6x40	1	PC.
24			1361410000	DRUM COMPLETE	1	PC.
25	1		0162050000	FLANGE NUT M5	1	PC.
	2		162050000K	FLANGE NUT M5	1	PC.
26	1		0162050000	FLANGE NUT M5	1	PC.
	2		162050000K	FLANGE NUT M5	1	PC.
27			0325102004	PLATE	1	PC.
28			0325100002	UPPER CASE	1	PC.
29	1		0054060150	BOLT M6X15	2	PC.
	2		054060150K	+ HEX BOLT M6X15	2	PC.
30	1		0055000100	GREASE NIPPLE M6	1	PC.
	2		055000100R	GREASE NIPPLE	1	PC.
31			0325103004	PLATE	1	PC.
32			0054060350	BOLT M6X35	2	PC.
34	1		0164060000	U-NUT M6	4	PC.
	2		164060000K	HEX. U-NUT M6	4	PC.
35	1		0011050205	SCREW M5X20	2	PC.
	2		011050205K	SCREW M5X20	2	PC.
36			1181260000	BLADE SUPPORT BAR	1	PC.
37			6018505400	UPPER BLADE	1	PC.
38			6018505500	LOWER BLADE	1	PC.
39	1		0040002009	SCREW L=19	3	PC.
	2		040002009A	BLADE SLIDE SCREW L19	3	PC.
40	1		0028002039	BLADE COVER	1	PC.
	2		028002039A	BLADE COVER	1	PC.
41	1		0040003009	SCREW M6X22	1	PC.
	2		040003009A	SCREW M6X22	1	PC.
42	1		0229060000	WAVE WASHER	1	PC.

Item No.	Type	Sub	Part No.	Description	Qty	Unit
		2	229060000K	WAVE WASHER	1	PC.
43			0082500000	BLADE SLIDING WASHER	4	PC.
44	1		0010030050	SCREW M3X5	2	PC.
		2	010030050K	PAN HEAD SCREW M3X5	2	PC.
45			0301100000	ROD SLIDING PLATE	1	PC.
46			0325104004	FELT	1	PC.
47	1		0054050160	BOLT M5X16(WSW)	2	PC.
		2	054050160K	+HEX BOLT M5X16	2	PC.
49	1		0054050160	BOLT M5X16(WSW)	5	PC.
		2	054050160K	+HEX BOLT M5X16	5	PC.
50			0325101002	LOWER CASE	1	PC.
		2	1A044000TE	ROD (OLD# TE1A044000)	1	PC.
		3	XOC0000018	ROD	1	PC.
52	1		0283026000	SNAP RING	1	PC.
		2	283026000K	RETAINING RING STW 26	1	PC.
53			1360030000	GEAR CRANK ASS'Y	1	PC.
54	1		0353006080	BALL BEARING ZZ 608	2	PC.
		2	353006080K	BALL BEARING 608 ZZ	2	PC.
55	1		0354060010	BALL BEARING UU 6001	1	PC.
		2	354060010K	BALL BEARING 6001 2RS	1	PC.
56			1361420000	PINION GEAR	1	PC.
57	1		0353006080	BALL BEARING ZZ 608	1	PC.
		2	353006080K	BALL BEARING 608 ZZ	1	PC.
58			0140059290	SCREW ASSY	1	PC.
59			5253500500	MUFFLER COVER	1	PC.
60	1		0119059550	SOCKET HEAD BOLT	2	PC.
		2	266754-1	SOCKET HEAD BOLT	2	PC.
61			5253071000	EXHAUST MUFFLER	1	PC.
62			5253500102	MUFFLER GASKET	1	PC.
63			0140059490	SCREW	1	PC.
64			020-00700-10	WASHER	1	PC.
65			5255500301	CYLINDER COVER (MAKITA COLOR)	1	PC.
66			5237503301	PLUG CAP	1	PC.
68	1		0654009931	PLUG CAP SPRING	1	PC.
		2	324891-8	PLUG CAP SPRING	1	PC.
69	1		5257500300	GROMMET	1	PC.
		2	424313-9	GROMMET	1	PC.
70			5503503001	SPACER	1	PC.
71	1		0119059730	SOCKET HEAD BOLT M5X20	2	PC.
		2	266814-9	HEX SOCKET HEAD BOLT M5X20	2	PC.
72	1		5251500201	CYLINDER	1	PC.
		2	5231501804	CYLINDER	1	PC.
		3	318762-9	CYLINDER	1	PC.
73	3		168662-1	SPARK PLUG(BMR7A)	1	PC.
74			5253500200	INSULATOR GASKET	1	PC.
75	1		5233014000	INSULATOR COMPL.	1	PC.
		2	141056-5	INSULATOR COMPLETE	1	PC.
76	1		0140059500	SCREW M5X25	2	PC.
		2	266700-4	PAN HEAD SCREW M5X25	2	PC.
77			5257001021	COIL	1	PC.
78			0140049920	SCREW ASS'Y M4X20	2	PC.
79			5607005000	WIRE COMPLETE (2)	1	PC.
80	1		5231502304	CYLINDER GASKET	1	PC.
		2	442171-1	CYLINDER GASKET	1	PC.
81	1		5242500701	PISTON RING	1	PC.
		2	257979-8	PISTON RING	1	PC.
82			5232501902	PISTON	1	PC.
83	1		5232502600	PISTON PIN	1	PC.
		2	257781-9	PISTON PIN	1	PC.
84	1		0565089970	CLIP	2	PC.

Item No.	Type	Sub	Part No.	Description	Qty	Unit
			233976-8	CLIP	2	PC.
85	1		5252002001	CRANKSHAFT COMPLETE	1	PC.
			5252002002	CRANKSHAFT COMPLETE	1	PC.
86			5255052000	REWIND STARTER	1	PC.
		INC.		Item No. 87-95		
87			5255505900	PULLY	1	PC.
88	1		5195002060	SET SCREW	1	PC.
			266585-8	TAPPING SCREW 5X12	1	PC.
89	1		5195002100	SWING ARM	1	PC.
			325923-4	SWING ARM	1	PC.
90	1		5195002110	COLLAR	1	PC.
			451938-6	COLLAR	1	PC.
91	1		5195002030	REEL	1	PC.
			452972-9	REEL	1	PC.
92	1		5255016020	STARTER ROPE	1	PC.
			444024-0	STARTER ROPE	1	PC.
93	1		5195002050	SPIRAL SPRING	1	PC.
			234220-6	SPIRAL SPRING	1	PC.
94	1		5225004020	HANDLE	1	PC.
			424319-7	STARTER KNOB	1	PC.
95	1		5255001040	DAMPER	1	PC.
			424359-5	DAMPER	1	PC.
96			6019509000	MODEL LABEL	1	PC.
97			0140049760	SCREW ASSEMBLY	4	PC.
99	1		0140059350	SCREW ASS'Y M5X18(WSW)	3	PC.
			266699-3	PAN HEAD SCREW M5X18	3	PC.
100			5255505700	BLOWER HOUSING	1	PC.
101			5257501400	BOLT	1	PC.
102			003-20060-00	SPRING WASHER	1	PC.
103			0031206000	WASHER	1	PC.
104			5257041010	FLYWHEEL	1	PC.
105	1		0140059520	SCREW M5X25	3	PC.
			266701-2	PAN HEAD SCREW M5X25	3	PC.
106			5251003000	CRANKCASE COMPLETE	1	PC.
		INC.	213628-7	OIL SEAL	2	PC.
		INC.	0600129920	BALL BEARING	2	PC.
		INC.		Item No. 107		
107	1		5231502202	CRANKCASE GASKET	1	PC.
			424447-8	CRANK CASE GASKET	1	PC.
108			5256002000	TANK PLATE COMPLETE	1	PC.
109	1		1181240000	SPACER	1	PC.
			318892-6	SPACER	1	PC.
110	1		0140059350	SCREW ASS'Y M5X18(WSW)	4	PC.
			266699-3	PAN HEAD SCREW M5X18	4	PC.
111	2		5235504700	BOLT ASS'Y	1	PC.
			266703-8	HEX. HEAD BOLT M6X14	1	PC.
112			6202500000	HOLDER	1	PC.
113	1		6202500600	WASHER	2	PC.
			267429-5	FLAT WASHER 6	2	PC.
114			5238500500	CLUTCH SPRING	1	PC.
115			6252500801	CLUTCH SHOE	2	PC.
116	1		0200089911	WASHER M8	2	PC.
			267817-6	WASHER 8	2	PC.
117	1		6252500400	CLUTCH BOLT	2	PC.
			266457-7	SHOULDER HEX. BOLT M6X25	2	PC.
118			5256012001	TUBE ASS'Y	1	PC.
119			0140059290	SCREW ASSY	2	PC.
120	1		0561059990	HOSE CLAMP	1	PC.
			345920-4	HOSE CLAMP	1	PC.
121	1		5236503900	FILTER	1	PC.
			163447-0	FUEL FILTER	1	PC.

Item No.	Type	Sub	Part No.	Description	Qty	Unit
122			5256025000	FUEL TANK COMPLETE	1	PC.
123			0150059800	TAPPING SCREW M5X18	2	PC.
124	1		5256059000	FUEL TANK CAP COMPLETE	1	PC.
		INC.		Item No. 125126		
	2		168668-9	FUEL TANK CAP COMPLETE	1	PC.
		INC.		Item No. 125126		
125	1		5256058000	FUEL TANK CAP	1	PC.
	2		452920-8	FUEL TANK CAP	1	PC.
126	1		5256067000	STRAP	1	PC.
	2		140436-2	STRAP COMPLETE	1	PC.
127	1		5103502801	SPACER GASKET	1	PC.
	2		442177-9	GASKET AIR CLEANER	1	PC.
128	1		5316020020	CABLE ADJUST SCREW	1	PC.
	2		326084-3	CABLE ADJUST SCREW M6X13	1	PC.
129			002-27060-00	NUT M6	1	PC.
130			5256500100	CABLE BRACKET	1	PC.
132			0630029840	CONTROL CABLE	1	PC.
133			5256008000	CARBURETOR	1	PC.
		INC.		Item No. 134-136138-149		
134	1		5316005120	RING	1	PC.
	2		257964-1	STOP RING E-3	1	PC.
135	1		5236018040	SWIVEL	1	PC.
	2		325922-6	SWIVEL	1	PC.
136	1		5206008030	PAN HEAD SCREW	2	PC.
	2		266581-6	PAN HEAD SCREW M3X8 WITH W	2	PC.
	3		WJ00096364	SCREW M3X8 WITH WASHER	2	PC.
138	1		5246001010	O RING	1	PC.
	2		213538-8	O RING 2	1	PC.
139	1		5026004010	JET	1	PC.
	2		326085-1	JET	1	PC.
140	1		5246001030	PUMP GASKET	1	PC.
	2		442172-9	PUMP GASKET	1	PC.
141	1		5246001040	PUMP DIAPHRAGM	1	PC.
	2		168575-6	PUMP DIAPHRAGM	1	PC.
	3		WJ00009599	PUMP DIAPHRAGM	1	PC.
142	1		5016004010	INLET SCREEN	1	PC.
	2		352010-6	INLET SCREEN	1	PC.
143	1		5236046130	PUMP BODY ASS'Y	1	PC.
	2		140989-1	PUMP BODY ASSEMBLY	1	PC.
144	1		5236046040	METERING DIAPHRAGM GASKET	1	PC.
	2		442154-1	METERING DIAPHRAGM GASKET	1	PC.
145	1		5316005250	METERING DIAPHRAGM ASS'Y	1	PC.
	2		168767-7	METALING DIAPHRAGM	1	PC.
146	1		5236046060	AIR PURGE BODY ASS'Y	1	PC.
	2		140988-3	AIR PURGE BODY ASSEMBLY	1	PC.
147	1		5246001150	PRIMER PUMP	1	PC.
	2		424314-7	PRIMER PUMP	1	PC.
148	1		5236046050	PRIMER PUMP COVER	1	PC.
	2		346270-0	PRIMER PUMP COVER	1	PC.
149	1		5236046010	PUMP COVER SCREW	4	PC.
	2		266582-4	TAPPING SCREW 3X24	4	PC.
150			5236061000	O RING	1	PC.
151			5253004010	AIR CLEANER HOUSING	1	PC.
152			0043305650	SCREW ASS'Y	2	PC.
153			5203004010	AIR FILTER	1	PC.
154			5203004030	AIR CLEANER COVER	1	PC.
155			5256501200	GASKET	1	PC.
156	1		287110002A	* BLADE GUARD (W) (Added)	1	PC.
	2		XOC0000030	* BLADE GUARD	1	PC.
ACCESSORIES						
A01			5019001000	ACCESSORY TOOL KIT	1	PC.

SERVICE CHANGES

1. Changes on Blade Guard

(TI#A3363)

Item No.	Description	Type 1	Type 2
156	Blade Guard (W) >>>Blade Guard	287110002A	XOC0000030

Type 1

Type 2

